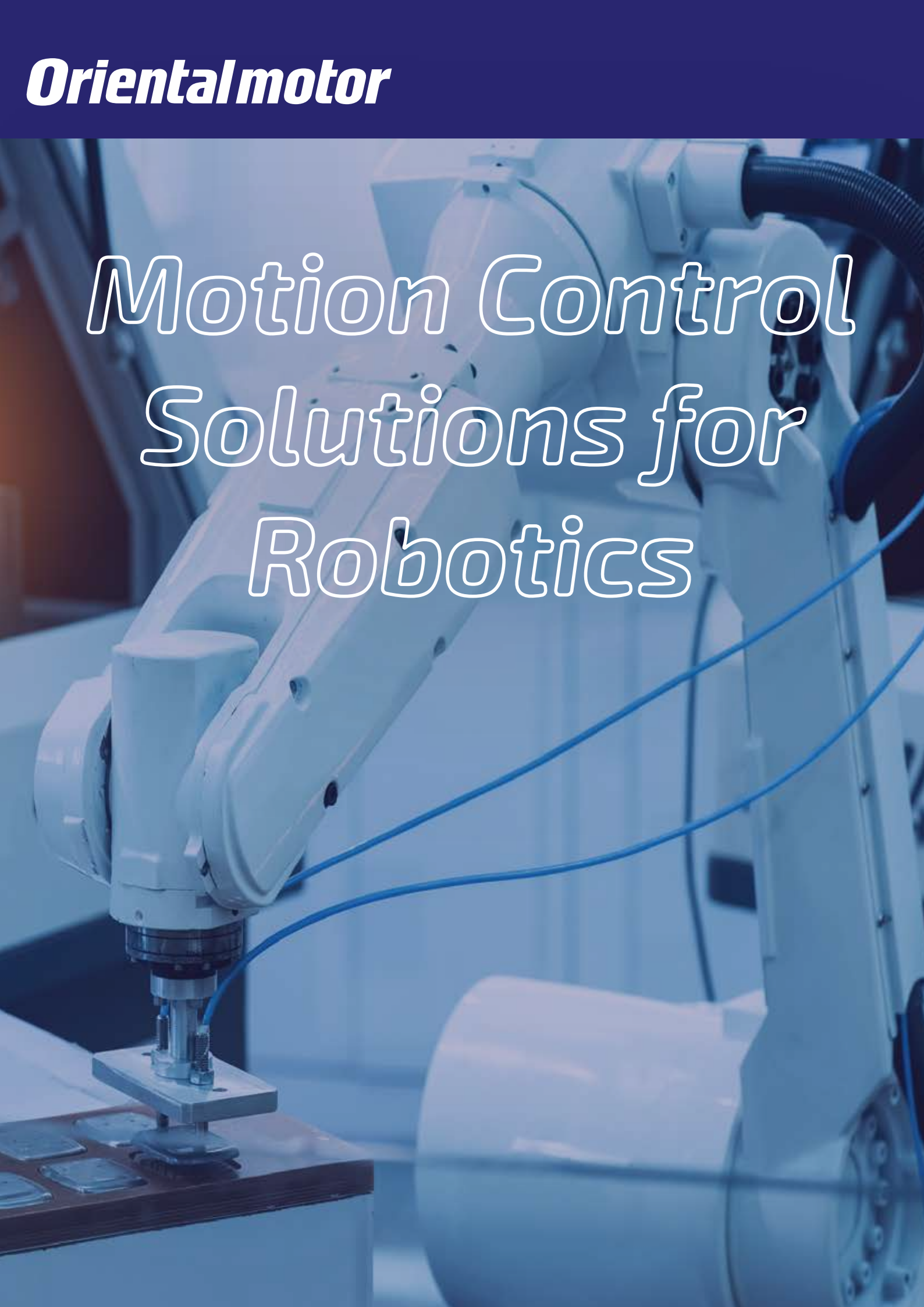


Oriental motor

Motion Control Solutions for Robotics



Motion System Example

Application

Mixing Machine

BMU Series

Brushless Motor and Driver Package
Easy Speed Control with Spin and Push



Speed Control



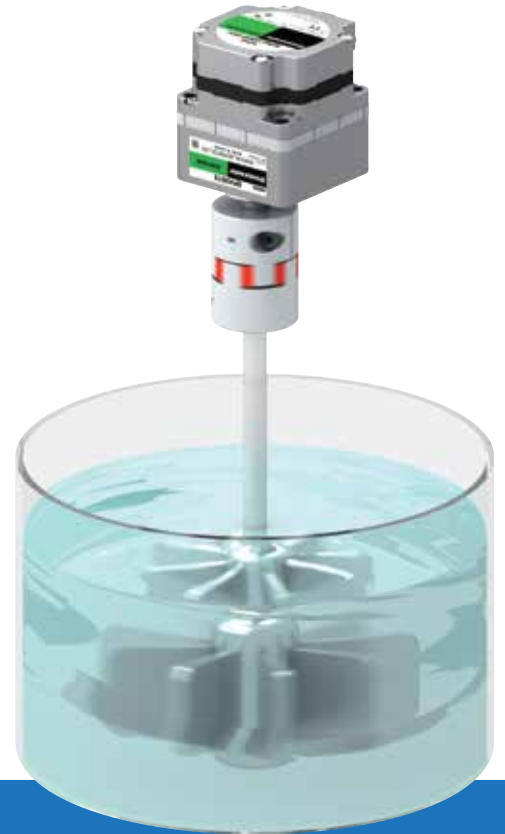
Alarm



Speed Stability



Scan to video



Features

Main Features of BMU Series

Spin and Push. Easy Speed Control.



Turn the dial, and set the speed to your desired speed.



Turning the dial slowly changes the speed by 1 r/min.



Pushing the dial sets the speed.



The dial operation can be locked.

Easy Wiring. Quick Start.



The motor and driver can be easily connected.



The power and I/O connectors are of the screwless type.



With only one switch, the motor can be started immediately.



The rotation direction of the motor can be changed with easy operation.

Highly Functional

The BMU Series is the most ideal speed control motor compared to conventional models



- Speed indication
- Load factor indication
- Protective function
- 4-speed setting
- Sets the acceleration/deceleration time
- Output shaft is held when stopped

Wide Speed Control Range



AC Speed Controllers

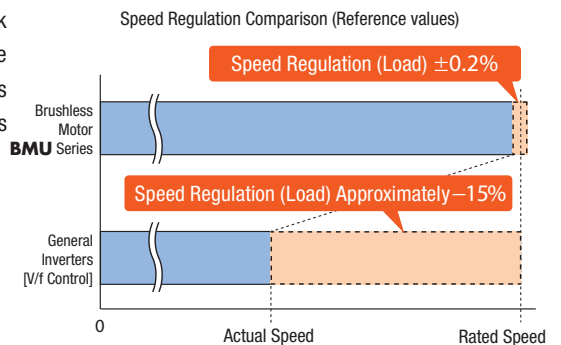
The brushless motor has a broader speed control range compared to AC speed control motors and inverters. They are ideal for applications that require a constant torque for all speeds, low to high.

Product Group	Speed Control Range*	Speed Ratio
Brushless Motor (BMU Series)	80~4000 r/min	1:50
Inverter Control Three-Phase Induction Motor	200~2400 r/min	1:12
AC Speed Control Motor	50Hz: 90~1400 r/min 60Hz: 90~1600 r/min	1:15 1:17

*The speed control range varies depending on the model.

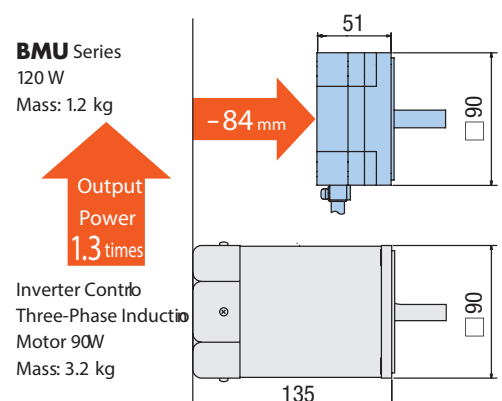
Stable Speed Control

The brushless motors always monitor feedback signals from the motor and compare them with the set speed to adjust the applied voltage. For this reason, even if the load changes, stable rotation is performed from low speed to high speed.



Thin, Lightweight and High Power

The brushless motors use permanent magnets so that they are thin and lightweight but yet have high power. These contribute to the downsizing of equipment.



Short Leadtime Products

BMU Series products that can be delivered in a short time.
Lead time varies depending on quantity requested.

Product Name [Speed Control Motors]	Output Power [Wattage]	Gear Head Reduction Ratio	Applicable Controller	Power Supply Input [Single phase]
BLM230-10B	30W	10	BMUD30-C2	220/230 VAC 50/60 Hz
BLM230-30B	30W	30		
BLM460S-10B	60W	10	BMUD60-C2	
BLM460S-30B	60W	30		
BLM5120-10B	120W	10	BMUD120-C2	
BLM5120-30B	120W	30		



We offer a wide range of products. Check out this table to learn what models we have available in stock.

Should you require other models, please scan the QR code or contact us for more information.



Scan for price
and leadtime

ORIENTAL MOTOR ASIA PACIFIC PTE. LTD.

31 Kaki Bukit Road 3, #04-02/04
Techlink, Singapore 417818
TEL: +65-6745-7344 FAX: +65-6745-9405
<http://www.orientalmotor.com.sg/>

ORIENTAL MOTOR (THAILAND) CO., LTD.

Headquarters & Bangkok Office
63 Athenee Tower, 6th Floor Unit 603, Wireless Rd,
Lumpini, Pathumwan, Bangkok 10330, Thailand
TEL: +66-2-251-1871 FAX: +66-2-251-1872

ORIENTAL MOTOR (INDIA) PVT. LTD.

No.810, 8th Floor, Prestige Meridian-1 No.29,
M.G.Road, Bangalore, 560001, India
TEL: +91-80-41125586 FAX: +91-80-41125588
<http://www.orientalmotor.co.in/>

ORIENTAL MOTOR (MALAYSIA) SDN. BHD.

Headquarters & Kuala Lumpur Office
A-13-1, North Point Offices, Mid Valley City,
No.1 Medan Syed Putra Utara 59200
Kuala Lumpur, Malaysia
TEL: +60-3-22875778 FAX: +60-3-22875528

Penang Office

1-4-14 Krystal Point II, Lebu Bukit Kecil 6, Bayan Lepas,
11900 Penang, Malaysia
TEL: +60-4-6423788 FAX: +60-4-6425788